

FEATURES

- High speed, low deflection
- Minimal mounting clearance
- Outer diameter of 0.38" [9.5 mm]
- 17-4 PH stainless-steel construction
- For use in both tension and compression
- Utilizes metal foil strain gauge technology
- Adheres to RoHS directive 2011/65/EU

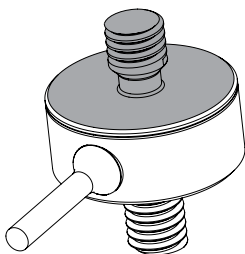
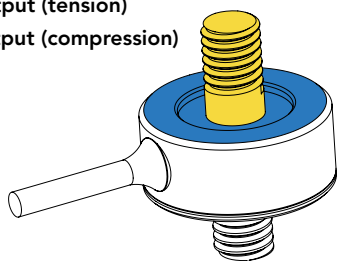
 Non-loading surface

 Active End

 Fixed end

+ Output (tension)

- Output (compression)



SPECIFICATIONS

PERFORMANCE

Nonlinearity	±0.5% of RO
Hysteresis	±0.5% of RO
Nonrepeatability	±0.1% of RO

ELECTRICAL

Rated Output (RO)	1 mV/V (1000 g, 5 lb) 2 mV/V (10 lb, 25 lb)
Excitation (VDC or VAC)	7 max
Bridge Resistance	350 Ohm nom
Insulation Resistance	≥500 MOhm @ 50 VDC
Connection	#34 Awg 4 conductor braided shielded cable, 5 ft [1.5 m] Long

Wiring/Connector Code WC1

MECHANICAL

Weight (approximate)	0.3 oz [8.5 g]
Safe Overload	150% of RO
Material	17-4 PH stainless-steel
IP Rating	IP64

TEMPERATURE

Operating Temperature	-60 to 200°F (-51 to 93°C)
Compensated Temperature	60 to 160°F (16 to 71°C)
Temperature Shift Zero	±0.02% of RO/°F (±0.036 of RO/°C)
Temperature Shift Span	±0.02% of load/°F (±0.036 of load/°C)

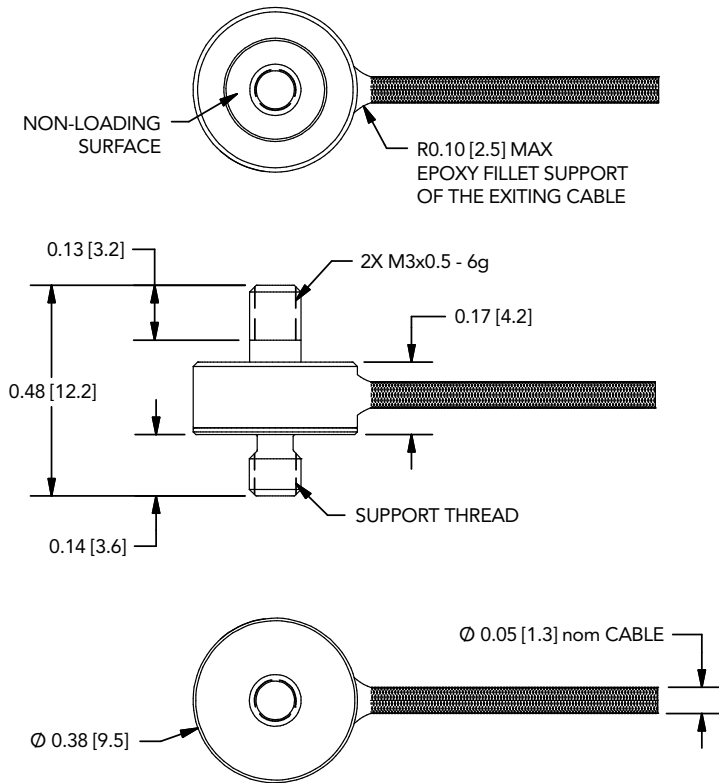
CALIBRATION

Calibration Test Excitation	5 VDC
Calibration (standard)	5-pt Tension
Calibration (available)	Compression
Shunt Calibration Value	100 kOhm (1000 g, 5 lb), 60.4 kOhm (10 lb, 25 lb)

CONFORMITY

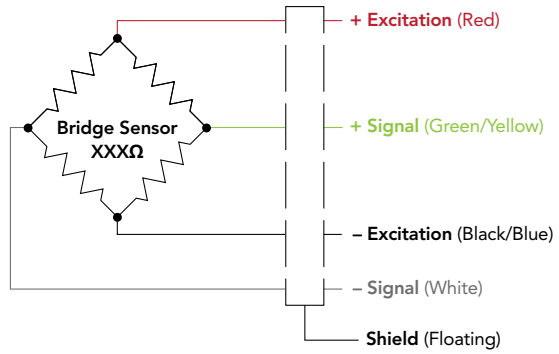
RoHS	2011/65/EU
CE	EN55011:2009; EN61326-1:2006

DIMENSIONS inches [mm]



WIRING CODE (WC1)

RED	+ EXCITATION
BLACK	- EXCITATION
GREEN	+ SIGNAL
WHITE	- SIGNAL
SHIELDED	SENSOR BODY



Note: For sensors with ± SENSE, the sense wires can be connected to ± EXCITATION or clipped off.

CAPACITIES

ITEM #	lb	N	Deflection (in)	Natural Frequency (kHz)
FSH03842	1000 g	9.8	0.0001	19
FSH03829	5 lb	22.2	0.0001	26
FSH03828	10 lb	44.5	0.0002	26
FSH03827	25 lb	111.2	0.0002	42

Drawing Number: F11367-E

FUTEK reserves the right to modify its design and specifications without notice. Please visit <http://www.futek.com/salesterms> for complete terms and conditions.

10 Thomas, Irvine, CA 92618 USA

Tel: (949) 465-0900

Fax: (949) 465-0905

www.futek.com



RoHS



U.S. Manufacturer